

Himax CR5025

Counter Rotating Brushless Outrunner Motor

Himax Brushless motors are manufactured to high standards for the discerning modeler. Designed for lightweight, high efficiency, and durability these Himax Outrunner motors are sure to make today's radio controlled models perform. Please read the entire operating manual to ensure correct functionality and best performance. The CR5025 motor is made for medium to large size models weighing 15 to 20 pounds.

Features:

High Efficiency - High Power - Lightweight - Equivalent to 1.20ci glow engine.

Specifications:

Weight: 808g, (26oz) motor with prop attachments.

Max Power: 2000 W, (This is dependent on several factors)

Max Motor RPM: 12,000 RPM

Diameter: 50mm, (1.09")

Length: 55.75mm, (2.19") to back of rear prop.

Shaft Diameter: 6.0mm, (.236") front shaft, 13mm (.512") rear shaft

Motor Mounting Holes: 4 holes, 4mm through, on 64mm, (2.5") bolt circle

Maximum Case Temperature: 65°C, (149°F)

KV = 380, Rm = tba, lo = tba

Efficient Operation Current = 30-40 A per rotor, 50A Max 15 seconds per rotor.

Suggested props: Custom 15x10 pair, special spinner included.

Battery 6-cell Lipo that can sustain 80 to 90 amp continuous draw.

ESC: Two Phoenix HV 45 or equivalent. Also needs a MPI 2160 or 2460 Y-harness to join the two ESC to throttle channel.

ESC Setting: Cutoff - soft, Brake - disabled, Throttle Type - airplane, fixed endpoints.

Special note: This motor will not run with one ESC! If you want to experiment with other props, you must monitor the current and power.

Operation:

1. Himax Brushless motors require brushless sensorless speed controls. Failure to use a brushless sensorless electronic speed control (ESC) can result in damage to the motor and/or ESC. A Castle Creations Phoenix series ESC is recommended for best performance. The standard setting for timing advance is recommended for best operation.
2. The three wires of the motor can be connected to the three output leads of the ESC in any order. Check the direction of rotation of the motor. If the motor spins in the wrong direction switching any **two** of the motor wires will reverse rotation. Be sure to insulate the wires to prevent shorting which may damage the ESC.
3. Allow for proper cooling of the motor during operation. With extremely high capacity batteries, care must be taken to prevent excessive motor temperature. Overheating of the motor is not covered under warranty. Insufficient cooling can result in overheated motors, even when operated at moderate power levels.
4. Do not disassemble the motor. Disassembling the motor voids the warranty. If service is required please return the unit to Maxx Products for service.
5. Install the propeller after proper rotation has been determined. Consult the ESC operation manual for proper arming and use procedures. Be sure the prop is clear before starting the motor. Once the battery is plugged in stay clear of the prop, electric motors are capable of extremely high torque and can be very dangerous.

Maintenance:

Brushless motors are almost maintenance free, so minimal care is required for long life. Keep the motor clean free of dust and dirt, especially the bearings. Dirty bearings wear quickly. Lubricate the bearings regularly with light oil. Do not immerse the motor in water, or solvents. Do not bend the wires excessively and secure wires to prevent breakage due to fatigue from vibration. Always use balanced propellers to reduce loads on bearings, to reduce noise, and reduce stress on the airframe.

Warranty & Service:

Himax motors have a two year limited warranty to the original owner, excluding gearboxes. All motors are guaranteed to be free from manufacturing defects within two years of date of purchase. Not covered under warranty is crash damage, customer abuse, improper use, or overheating. Warranty claims should be handled directly with Maxx Products, 815 Oakwood Rd, Unit D, Lake Zurich, IL 60047. Be sure to include contact information and a description of the problem including which ESC, battery, and prop was being used. Return shipping for repair estimates must be prepaid.

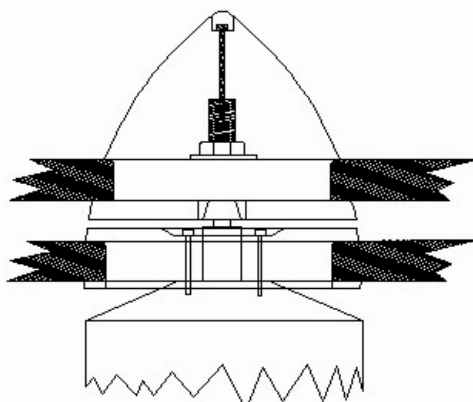
REV: _ , 04/14/2010

MAXX PRODUCTS INTERNATIONAL, INC.

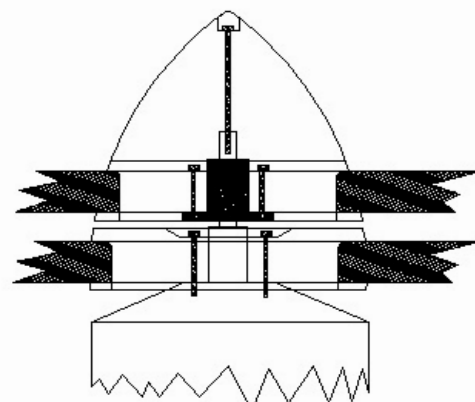
815 OAKWOOD RD, UNIT D, LAKE ZURICH, IL 60047, USA

Phone: (847)438-2233 Fax: (847)438-2898 Website: www.maxxprod.com

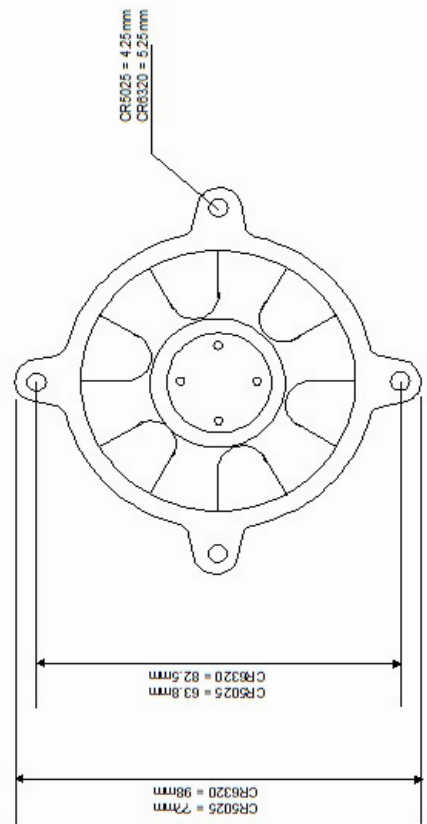
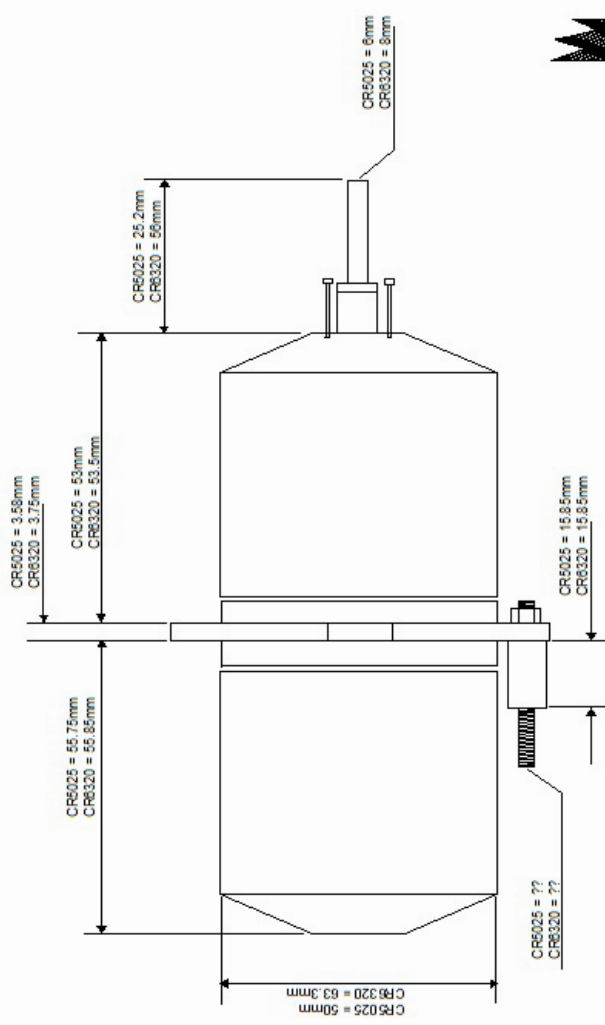
MPI



CR5025 Spinner Assembly



CR6320 Spinner Assembly



Designed by	Checked by	Approved by - date	Filename	Date
				11/03/2009
Maxx Products				Contracting Motor CR5025/6320
				Edition Sheet